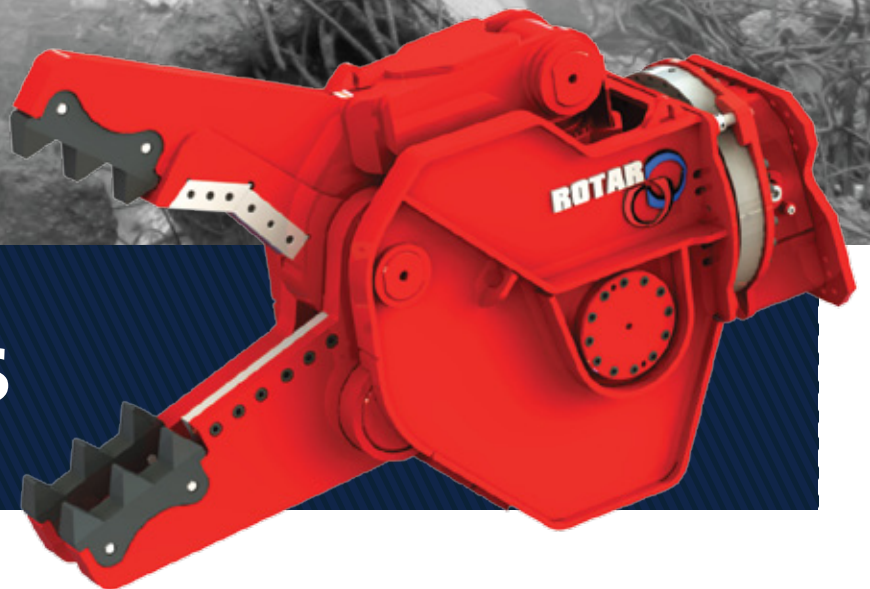


**ROTAR<sup>®</sup>**



**RDC-series**



# Rotar Demolition Combi Shear

Combining incredible cutting power and easily replaceable wear parts, the Rotar Demolition Combi Shear is the perfect demolition shear for primary demolition activities. The RDC series gnaws its way through any construction.



## Replaceable teeth and cutting knives

The Rotar Demolition Combi Shear has been fitted with replaceable teeth and cutting knives. It is an impressive sight to see the rows of teeth and knives cutting through the extremely tough concrete. The design of the jaws guarantees powerful penetration of the materials.

## Headpiece and slewing ring

The RDC series is fitted with a strong rotating headpiece and an over-dimensioned, double-rowed slewing ring. The hydraulic engines in the headpiece create a high torque, allowing the combi shear to be positioned in any desired way.



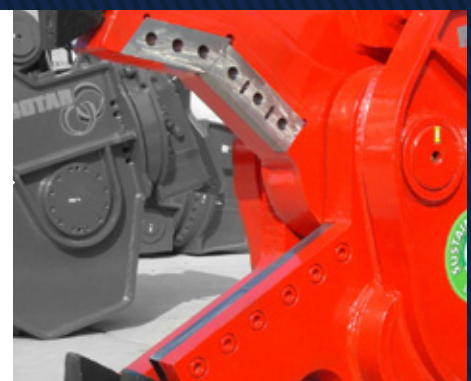
## Specially developed speed valve

The speed valve developed by Rotar allows the jaws to close quickly and the combi shear will effortlessly switch from speed to power mode as soon as the job requires cutting power. The demolition shear's body has been assembled from high-grade and wear-resistant materials, making it extremely strong.

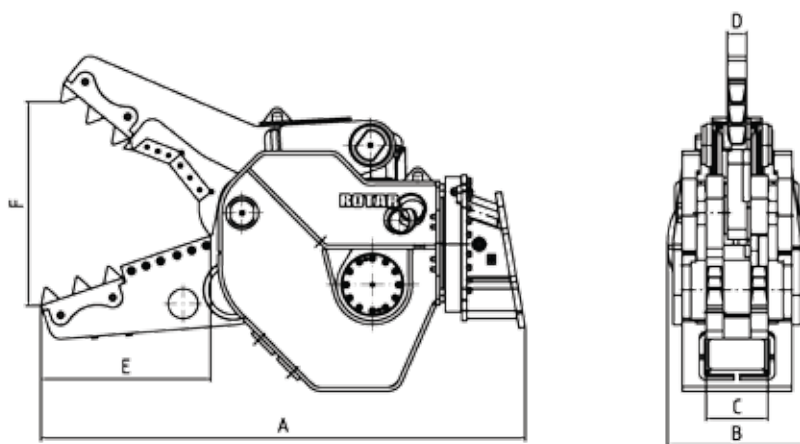


## Cross-mounted hydraulic cylinder

The cross-mounted construction of the hydraulic cylinder ensures optimal efficiency of the cutting power and a compact design with a favourable centre of gravity. The large diameter of hoses, bores and pipes reduces the back pressure in the hydraulic system and contributes to the extraordinary feats this demolition shear can pull off.



# Specifications



Ingenious, reliable, service-friendly and maximal productivity. That is the power of Rotar.

Type RDC	20 S	25 S	32 S	42 S
<b>Information</b>				
Machine class (t)	15 - 25	24 - 35	30 - 45	45 - 70
Weight (kg)*	1950	2670	3050	4100
Cyclis open/close (s.)	1,9 - 1,2	2,2 - 2,4	2,5 - 2,8	2,6 - 2,8
Closing force at tip of jaw 1 (t)	63	68	85	102
Closing force at tip of jaw 2 (t)	80	100	125	140
Rotar Hole-pattern	140-150	140-150	140-150	140-150
<b>Dimensions</b>				
Dimension A (mm)	2100	2259	2508	2730
Dimension B (mm)	760	760	760	880
Dimension C (mm)	280	320	320	340
Dimension D (mm)	90	100	100	100
Dimension E (mm)	650	775	880	1020
Dimension F (mm)	750	900	995	1230
Dimension G (mm)	400	400	500	600
<b>Hydraulic</b>				
Max. operating pressure cylinder (bar)	350	350	350	350
Max operating pressure motor (bar)	170	170	170	170
Oil volume cylinder (L/min)	150 - 250	150 - 250	250 - 300	250 - 300
Oil volume motor (L/min)	40 - 60	40 - 60	40 - 60	40 - 60

\* Weight exclusive adapterplate with bracket

## Rotar International BV

Address Schering 27, 8281 JW Genemuiden (NL)

Postal address Postbus 174, 8280 AD Genemuiden (NL)

Telephone +31(0) 38 385 54 71

Fax +31(0) 38 385 54 02

E-mail info@rotar.com

Website www.rotar.com



**GET THE  
RED CRUSH!**