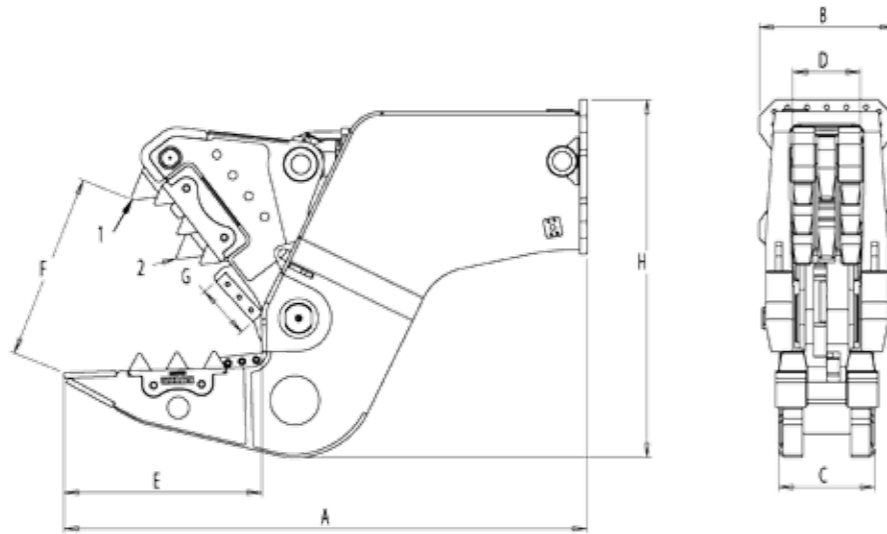


Specifications



Type RSP	20 S	25 S	30 S	40 S
Information				
Machine class (t)	16 - 25	20 - 30	25 - 35	32 - 50
Weight (kg)**	1950	2350	3170	4100
Cycle open/close (s.)	2,2 - 1	2,3 - 1,4	3,4 - 1,9	4,3 - 2,9
Closing force at tip of jaw 1 (t)	62	70	80	115
Closing force at tip of jaw 2 (t)	93	105	127	155
Rotar Hole-pattern	140-150	140-150	140-150	140-150
Dimensions				
Dimension A (mm)	2280	2400	2710	3150
Dimension B (mm)	620	620	620	620
Dimension C (mm)	400	440	480	550
Dimension D (mm)	310	310	400	470
Dimension E (mm)	860	915	960	1155
Dimension F (mm)	800	855	1005	1155
Dimension G (mm)	200	250	250	300
Dimension H (mm)	1640	1640	1700	1990
Hydraulic				
Max. operating pressure motor (bar)	350	350	350	350
Oil volume cylinder (L/min)	150 - 225	150 - 250	150 - 250	250 - 300
Connector size	SAE 1"	SAE 1"	SAE 1"	SAE 1 1/4 "

* Dimensions under construction

** Weight exclusive adapterplate with bracket



RSP-series

Rotar International BV

Address Schering 27, 8281 JW Genemuiden (NL) Telephone +31(0) 38 385 54 71 E-mail info@rotar.com
 Postal address Postbus 174, 8280 AD Genemuiden (NL) Fax +31(0) 38 385 54 02 Website www.rotar.com



**GET THE
RED CRUSH!**

RSP

Rotar Static Pulverizer

Incredible cutting power combined with easy to replace wear parts make this Rotar Static Pulverizer the perfect concrete pulverizer for secondary demolitions. The RSP-series can easily crush the concrete and remove the reinforcement.



Replaceable teeth

The Rotar Static Pulverizer has been fitted with replaceable teeth. It's impressive to watch these rows of teeth cutting through the extremely strong concrete. The design of the jaws guarantees powerful penetration of the material.

Specially developed speed valve

The speed valve that was specially developed by Rotar makes sure that the jaws close quickly and that they switch from speed to power mode as soon as the job requires cutting power. The pulverizer's body has been assembled from high-grade and wear-resistant materials, making it extremely strong.



Cross-mounted hydraulic cylinder

The cross-mounted hydraulic cylinder ensures optimal efficiency of the cutting power and a compact design with a favourable centre of gravity. The large diameter of hoses, bores and pipes reduce the return pressure in the hydraulic system and contribute to this pulverizer's extraordinary performance.