

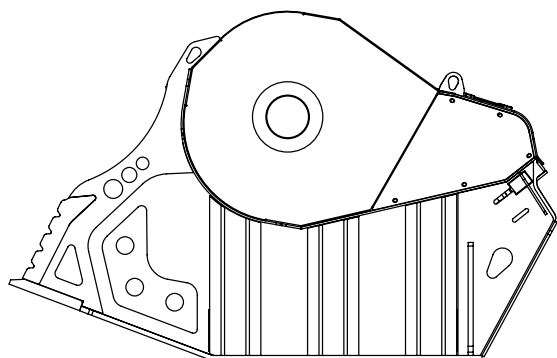
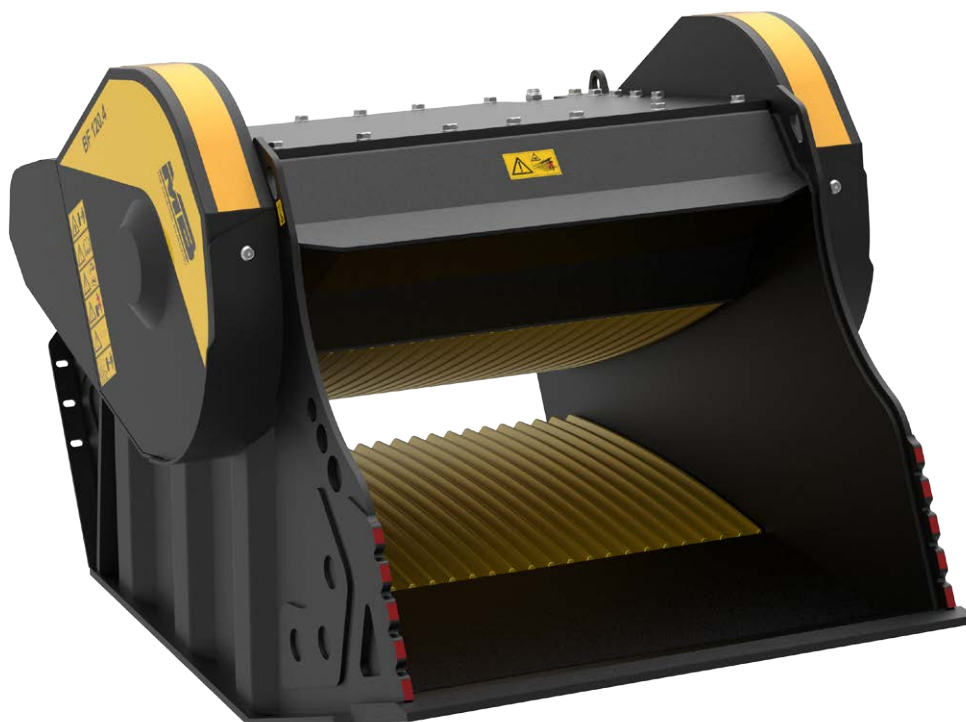
# BF 120.4 S4



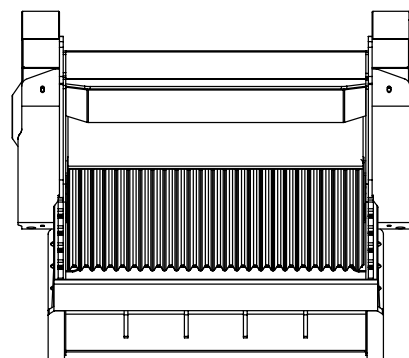
# NEW!

- + PRODUCTIVE
- + RELIABLE
- + STRONG

- + BALANCED
- + COMPACT
- + EASY MAINTENANCE



2185 mm



1620 mm

1390 mm

# NEW!

FIND OUT  
MORE



ENGLISH



## BF 120.4 S4

The BF120.4 crusher bucket has been created to satisfy specific requirements of crushing in quarries, landfills and for all operations regarding the recycling of aggregates. It is a versatile and powerful machine which, in the space of just a few years, has established a strong presence in the sector of crushing in large-scale urban and non-urban sites.




## ACCESSORIES

- RECOMMENDED SPARE PARTS KIT
- FIX COUPLER
- QUICK FEMALE COUPLER
- IRON SEPARATOR
- HOUR METER
- DUST SUPPRESSION KIT
- 24 MONTHS WARRANTY

## AREAS OF APPLICATION

- RECYCLING
- LARGE-SCALE URBAN SITES
- ROAD WORKS
- DEMOLITION
- EXCAVATION
- QUARRIES
- MINES
- FOUNDRIES
- PIPING

## SPECIFICATIONS

EQUIPMENT	LOAD CAPACITY	OPENING DIMENSIONS	OUTPUT SETTING	DIMENSIONS
 ≥ 30 Ton	1,30 m <sup>3</sup>	L 1205 H 540 mm	≥ 15 ≤ 145 mm	2185 x 1620 H 1390 mm
OIL FLOW	PRESSURE	COUNTER PRESSURE	WEIGHT	MAXIMUM PRODUCTION
210 l/min.	220 bar	10 bar	4,80 Ton	53 m <sup>3</sup> /h

The data provided above is not binding, as the manufacturer reserves itself the right to make improvements to its products at any time and with no advance notice. References to excavator weights are approximate and many may be subject to changes. Consider a 20% tolerance.

Rev. 2017 / 03