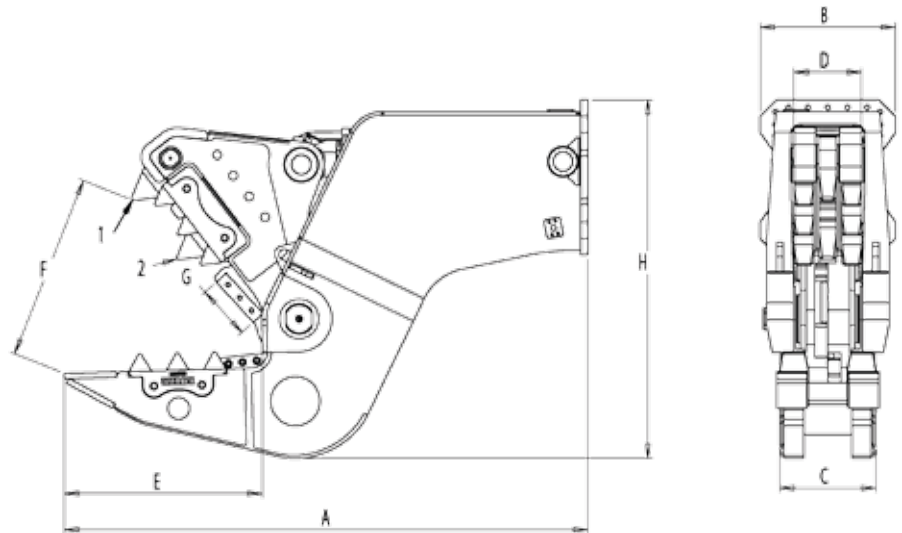


# Specifications



Type RSP	20 S	25 S	30 S	40 S
<b>Information</b>				
Machine class (t)	16 - 25	20 - 30	25 - 35	32 - 50
Weight (kg)**	1950	2350	3170	4100
Cycle open/close (s.)	2,2 - 1	2,3 - 1,4	3,4 - 1,9	4,3 - 2,9
Closing force at tip of jaw 1 (t)	62	70	80	115
Closing force at tip of jaw 2 (t)	93	105	127	155
Rotar Hole-pattern	140-150	140-150	140-150	140-150
<b>Dimensions</b>				
Dimension A (mm)	2280	2400	2710	3150
Dimension B (mm)	620	620	620	620
Dimension C (mm)	400	440	480	550
Dimension D (mm)	310	310	400	470
Dimension E (mm)	860	915	960	1155
Dimension F (mm)	800	855	1005	1155
Dimension G (mm)	200	250	250	300
Dimension H (mm)	1640	1640	1700	1990
<b>Hydraulic</b>				
Max. operating pressure motor (bar)	350	350	350	350
Oil volume cylinder (L/min)	150 - 225	150 - 250	150 - 250	250 - 300
Connector size	SAE 1"	SAE 1"	SAE 1"	SAE 1 1/4 "

\* Dimensions under construction

\*\* Weight exclusive adapterplate with bracket