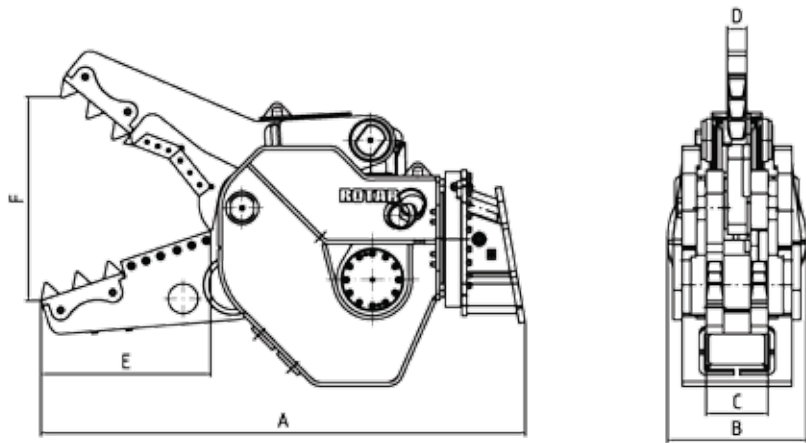


Specifications



Ingenious, reliable, service-friendly and maximal productivity. That is the power of Rotar.

Type RDC	20 S	25 S	32 S	42 S
Information				
Machine class (t)	15 - 25	24 - 35	30 - 45	45 - 70
Weight (kg)*	1950	2670	3050	4100
Cyclis open/close (s.)	1,9 - 1,2	2,2 - 2,4	2,5 - 2,8	2,6 - 2,8
Closing force at tip of jaw 1 (t)	63	68	85	102
Closing force at tip of jaw 2 (t)	80	100	125	140
Rotar Hole-pattern	140-150	140-150	140-150	140-150
Dimensions				
Dimension A (mm)	2100	2259	2508	2730
Dimension B (mm)	760	760	760	880
Dimension C (mm)	280	320	320	340
Dimension D (mm)	90	100	100	100
Dimension E (mm)	650	775	880	1020
Dimension F (mm)	750	900	995	1230
Dimension G (mm)	400	400	500	600
Hydraulic				
Max. operating pressure cylinder (bar)	350	350	350	350
Max operating pressure motor (bar)	170	170	170	170
Oil volume cylinder (L/min)	150 - 250	150 - 250	250 - 300	250 - 300
Oil volume motor (L/min)	40 - 60	40 - 60	40 - 60	40 - 60

* Weight exclusive adapterplate with bracket

Rotar International BV

Address Schering 27, 8281 JW Genemuiden (NL)

Postal address Postbus 174, 8280 AD Genemuiden (NL)

Telephone +31(0) 38 385 54 71

Fax +31(0) 38 385 54 02

E-mail info@rotar.com

Website www.rotar.com