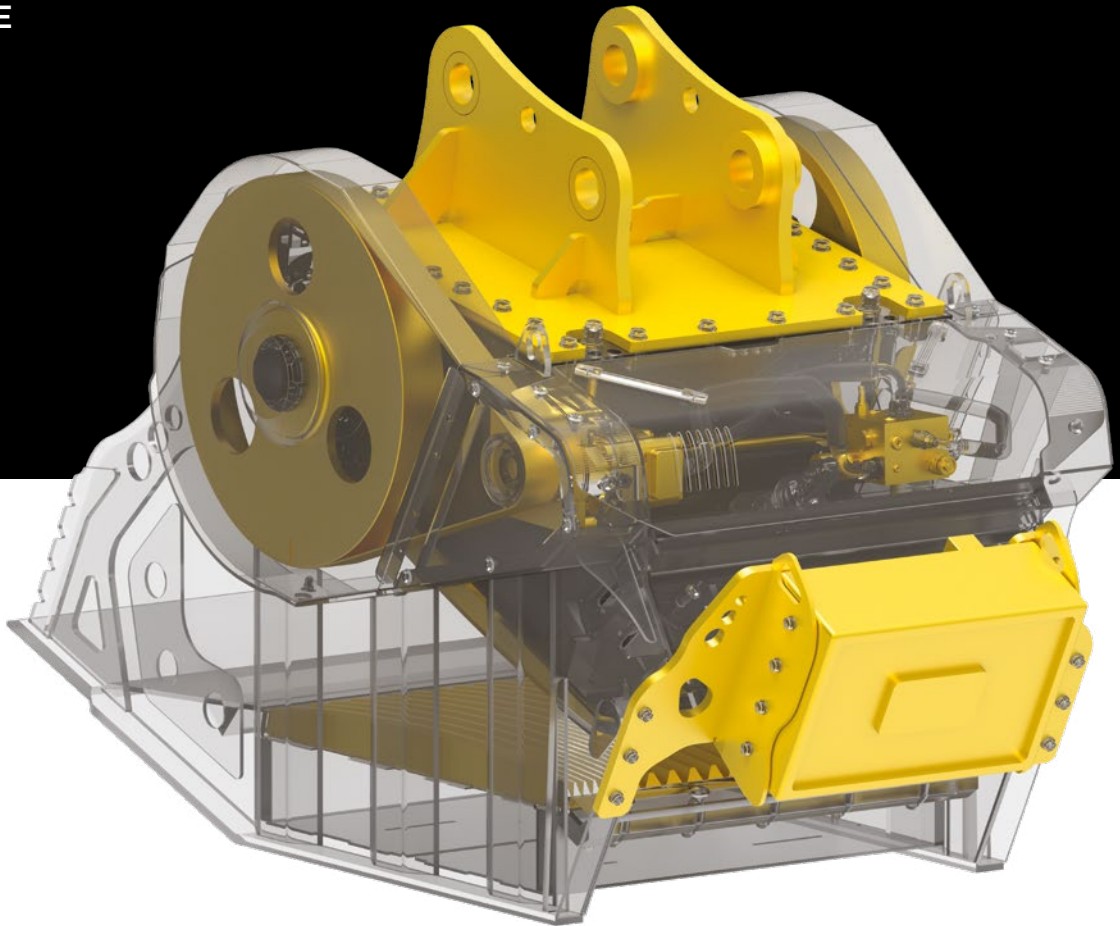


CRUSHER BUCKETS

MB Crusher offers a range of dynamic and high-performing patented jaw crusher buckets, designed to transform any machinery into a real crusher.

THE WORLD'S WIDEST RANGE OF CRUSHER ATTACHMENTS WITH **MORE THAN 90% MARKET SHARE**

- +** QUICK AND EASY MAINTENANCE
- +** EFFICIENT HYDRAULICS
- +** PRODUCTIVE
- +** STABLE
- +** EQUIPPED
- +** HARDOX®



MODELS

* rear

				
MODEL	MB-L120 S2	MB-L140 S2	MB-L160 S2	MB-L200 S2
 RECOMMENDED EXCAVATOR	-	-	-	-
 RECOMMENDED SKID LOADER	≥ 2,8 Ton	≥ 3 Ton	≥ 4,5 Ton	≥ 6 Ton
 RECOMMENDED BACKHOE LOADER/LOADER/TELEHANDLER	≥ 5 ≤ 7 Ton	≥ 6 ≤ 8 Ton	≥ 7 ≤ 10 Ton	≥ 7 ≤ 10 Ton
 RECOMMENDED BACKHOE/MINI EXCAVATOR	-	-	-	-
WEIGHT	0,95 Ton	0,98 Ton	1,45 Ton	1,50 Ton
LOAD CAPACITY	0,20 m ³	0,25 m ³	0,35 m ³	0,45 m ³
PRESSURE	200 bar	200 bar	200 bar	200 bar
OIL FLOW	95 l/min.	98 l/min.	110 l/min.	120 l/min.
OPENING DIMENSIONS	L 730 H 250 mm	L 740 H 250 mm	L 1100 H 240 mm	L 1150 H 260 mm



FIND OUT MORE

MB STANDS OUT



CERTIFIED AND GUARANTEED OUTPUT SIZE OF THE MATERIAL

Designed to pick up and process material **WITH EASE WHILE GUARANTEEING QUALITY AND INCREASED PRODUCTION RATES.**



MB jaw crusher buckets are designed with an **AAA+ HYDRAULIC COOLING SYSTEM THAT EXTENDS THE LIFE OF THE EXCAVATOR.**



WIDEST CRUSHER MOUTH OPENING, per weight of the equipment, available on the market



QUICK AND EASY MAINTENANCE without the need to replace oil

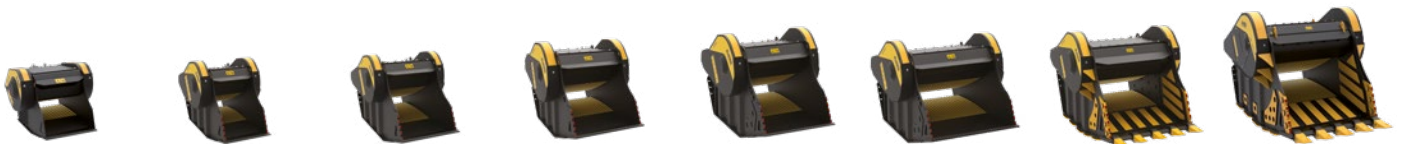


Equipped with control devices **TO ELIMINATE VIBRATION** on the equipment arm

mm	MB-L120	MB-L140	MB-L160	MB-L200	MB-C50	BF 60.1	BF 70.2	BF 80.3	BF 90.3	BF 120.4	BF 135.8	BF 150.10
	m ³ /h	m ³ /h	m ³ /h	m ³ /h	m ³ /h	m ³ /h	m ³ /h	m ³ /h	m ³ /h	m ³ /h	m ³ /h	120
200											88	95
150										53	85,7	91,1
145										50	83,5	87,6
140										42	81,3	84,1
135						23	31	33	38,8	47,2	79,1	82,5
130						21	30	31	36,5	44,4	74,5	76,6
120						19,8	28	29	34,2	41,6	70,1	73,1
110						18,5	26	27	31,8	38,8	65,6	61,1
100						17,1	24	25	29,5	36	61,1	56,6
90						15,8	22	23	27,2	33	56,6	52,2
80						14,4	20	21	24,8	30,4	52,2	47,6
70	14	16	20	22	10	13	18	19	22,5	27,6	47,6	43,2
60	13	15	17,6	19,3	9,3	11,7	16	17	20	24,8	43,2	38,7
50	11	13	15,1	16,7	7,8	10,4	14	15	17,8	22	38,7	-
40	9	11	12,7	14	6,3	9	12	13	15,5	19,2	-	-
30	7	9	10,2	11,3	4,8	7,7	10	11	13,2	16,4	-	-
20	6	8	9	10	4	7	9	10	12	15	-	-
15												

ACCESSORIES

- IRON SEPARATOR
- HOUR METER
- DUST SUPPRESSION KIT
- WARRANTY EXTENSION GOLD 24
- SUGGESTED SPARE PARTS KIT
- FIXED COUPLING
- QUICK COUPLING



MB-C50 S2	BF60.1 S4	BF70.2 S4	BF80.3 S4	BF90.3 S4	BF120.4 S4	BF 135.8	BF 150.10
≥ 3,5 Ton	≥ 8 Ton	≥ 14 Ton	≥ 18,5 Ton	≥ 21 Ton	≥ 30 Ton	≥ 43 Ton	≥ 70 Ton
-	-	-	-	-	-	-	-
-	-	-	-	-	-	-	-
* ≥ 4 Ton	-	-	-	-	-	-	-
0,75 Ton	1,60 Ton	2,30 Ton	3 Ton	3,50 Ton	4,80 Ton	7,50 Ton	10,50 Ton
0,15 m ³	0,55 m ³	0,66 m ³	0,70 m ³	0,90 m ³	1,30 m ³	1,60 m ³	2,30 m ³
200 bar	220 bar	220 bar	220 bar	220 bar	220 bar	250 bar	230 bar
90 l/min.	98 l/min.	140 l/min.	160 l/min.	180 l/min.	210 l/min.	320 l/min.	380 l/min.
L 540 H 250 mm	L 610 H 500 mm	L 740 H 510 mm	L 850 H 510 mm	L 910 H 540 mm	L 1205 H 540 mm	L 1300 H 600 mm	L 1450 H 700 mm