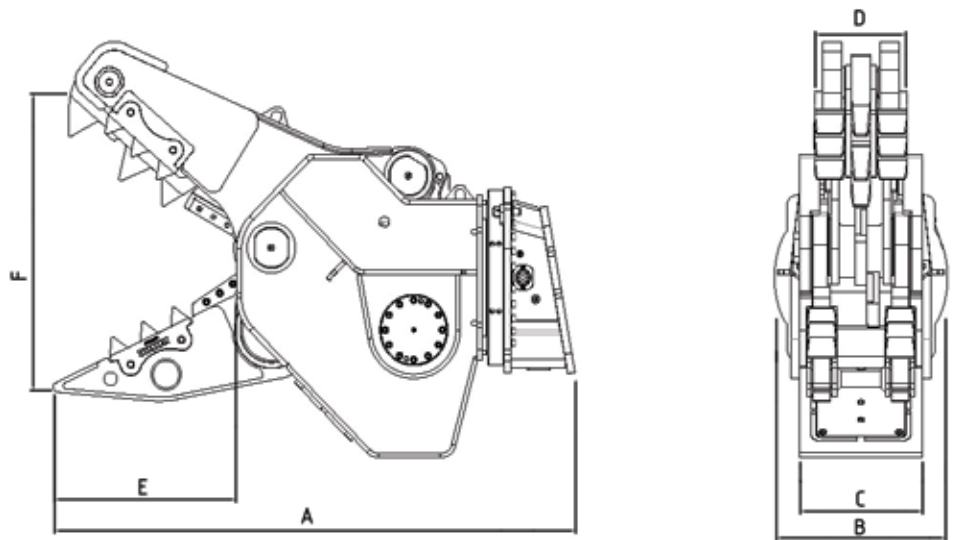


Specifications



Rotar Demolition Pulverizer has been fitted with replaceable cutting knives deep in its jaws. These will easily cut the concrete's reinforcement into smaller chunks.

Type RDP	20 S	25 S	32 S	42 S
Information				
Machine class (t)	15 - 25	24 - 35	32 - 50	45 - 70
Weight (kg)*	2100	2765	3100	4500
Cyclis open/close (s.)	1,9 - 1,2	2,2 - 2,4	2,5 - 2,8	2,6 - 2,8
Closing force at tip of jaw 1 (t)	62	70	95	105
Closing force at tip of jaw 2 (t)	100	107	152	195
Rotar Hole-pattern	140-150	140-150	140-150	150
Dimensions				
Dimension A (mm)	2100	2270	2458	2640
Dimension B (mm)	760	760	760	880
Dimension C (mm)	390	479	495	556
Dimension D (mm)	310	350	398	470
Dimension E (mm)	750	822	867	930
Dimension F (mm)	845	974	1000	1230
Dimension G (mm)	200	200	200	250
Hydraulic				
Max. operating pressure cylinder (bar)	350	350	350	350
Max. operating pressure motor (bar)	170	170	170	170
Oil volume cylinder (L/min)	150 - 250	150 - 250	250 - 300	250 - 300
Oil volume motor (L/min)	40 - 60	40 - 60	40 - 60	40 - 60

* Weight exclusive adapter with bracket

Rotar International BV

Address Schering 27, 8281 JW Genemuiden (NL)
Postal address Postbus 174, 8280 AD Genemuiden (NL)

Telephone +31(0) 38 385 54 71
Fax +31(0) 38 385 54 02

E-mail info@rotar.com
Website www.rotar.com