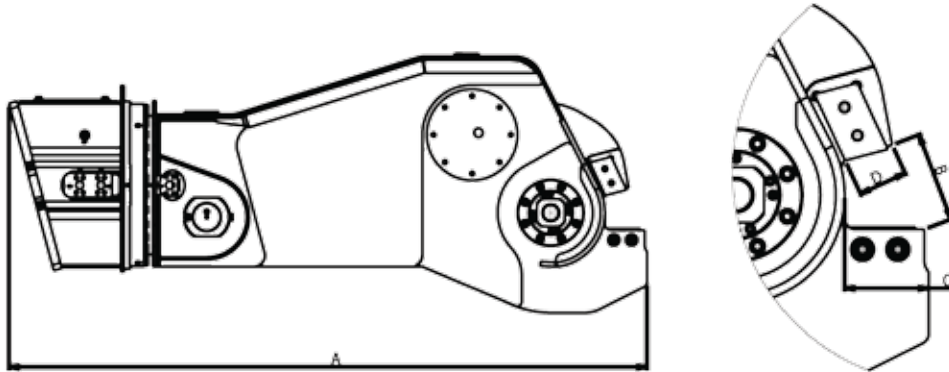


Specifications

Ingenious, reliable, service-friendly and maximal productivity. That is the power of Rotar!



Type RRC	25
Information	
Machine class (t) on boom	25
Machine class (t) on dipper	38
Weight (kg)*	3500
Rotar Hole-pattern	200
Dimensions	
Dimension A (mm)	2884
Dimension B (mm)	204
Dimension C (mm)	190
Dimension D (mm)	111
Open / Close	
Operating pressure (bar)	250
Oil volume (L/min)	450
Rotation	
Operating pressure (bar)	170
Oil volume (L/min)	50

* Weight exclusive adapterplate with bracket

Rotar International BV

Address Schering 27, 8281 JW Genemuiden (NL)
Postal address Postbus 174, 8280 AD Genemuiden (NL)

Telephone +31(0) 38 385 54 71
Fax +31(0) 38 385 54 02

E-mail info@rotar.com
Website www.rotar.com